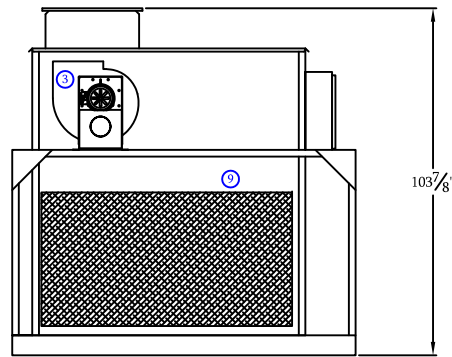
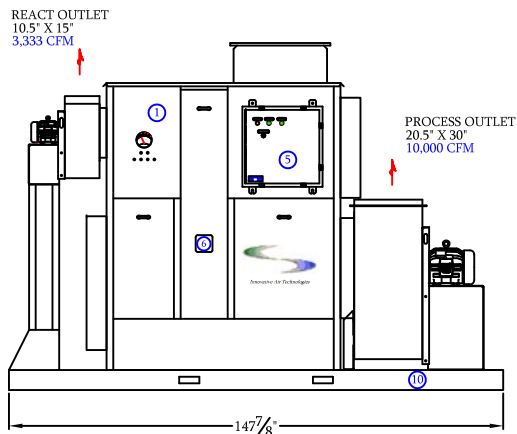


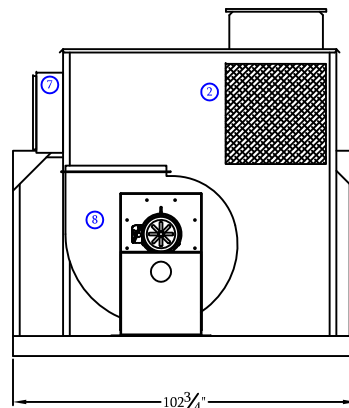
BACK VIEW



LEFT VIEW



FRONT VIEW



RIGHT VIEW

Item	DESCRIPTION
1	IAT - 10,000 RG DESICCANT ROTOR DEHUMIDIFIER
2	React Inlet Filter 20" X 24" X 2" (30%)
3	React Air Blower - 12" PLR Backward Inclined SWSI 3450 RPM @ 3" TSP with 2 HP TEFC motor
4	Gas Reactivation
5	Control Box 24" x 24" x 8" (NEMA 12)
6	Rotor Observation Window
7	Power Input (top right of control box)
8	Process Air Blower - 22" PLR Backward Inclined SWSI 1750 RPM @ 4" TSP with 5 HP TEFC motor
9	Process Inlet Filter (2) 25" x 25" x 2" (30%)
10	Structural Steel Skid
-	-
-	-
NOTES	
1	System Performance - 10,000 CFM
2	Allow 75" in front for rotor removal, 24" in rear, and 12" on top
3	Both Outlets are equipped with air volume dampers
4	All external ductwork must be air tight and vapor tight.
5	Fan outlets must be transitioned to larger duct size.
6	Total weight of unit - approx. 3350 lbs.
-	-
-	-

Innovative Air Technologies

	TITLE
	IAT-10000RG OUTLINE
CUSTOMER P.O. #	ORDER #
DATE:	REVISIONS:
DR.	REVISIONS: