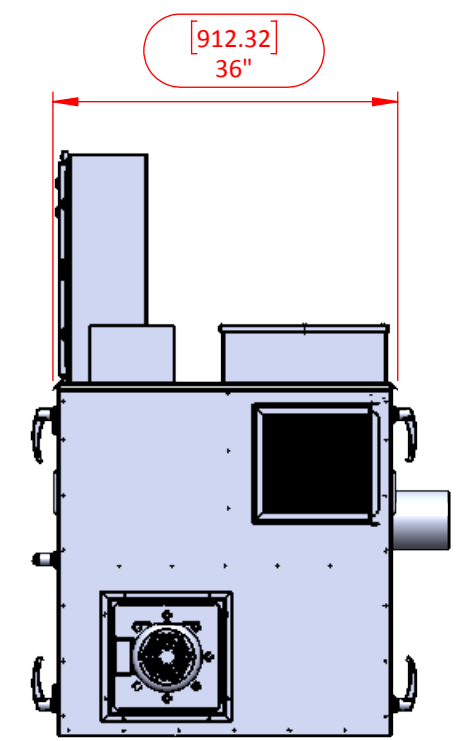
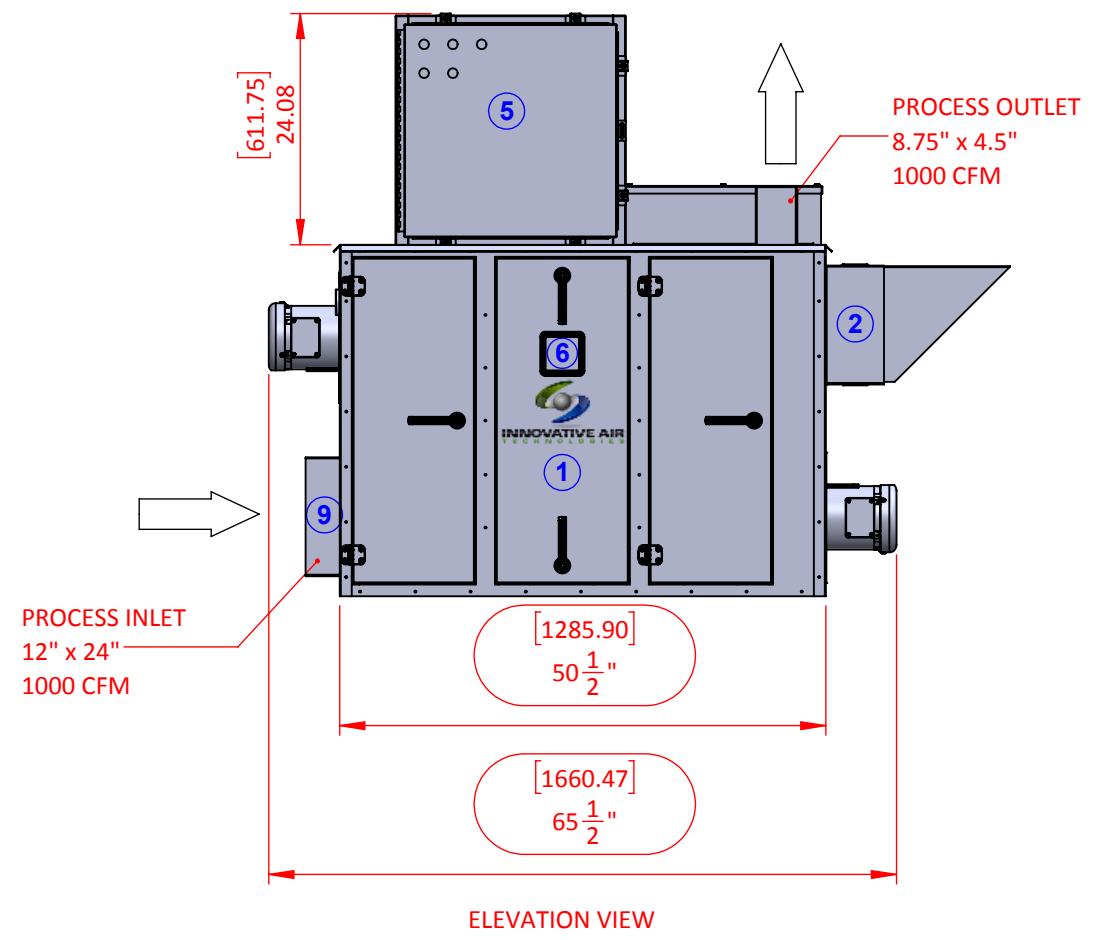
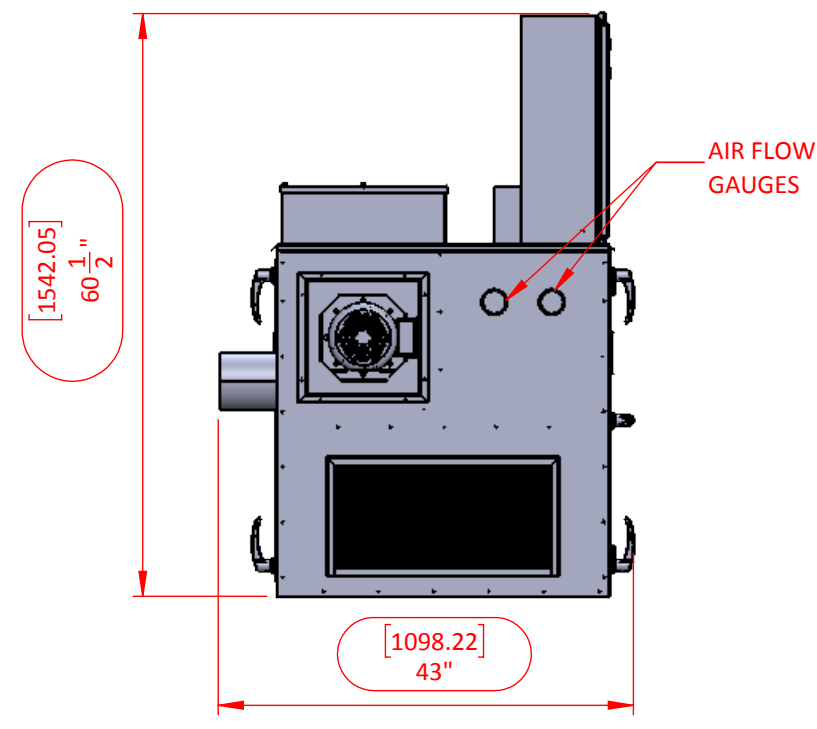


Item	Description
1	IAT-1000RE Desiccant Dehumidifier
2	React Inlet Filter - 12" x 12" x 2" (30%)
3	React Air Blower - 7" x 1 1/2", 2.5" TSP, 3450 RPM with a .5 HP TEFC motor
4	React Heater, 25 Kwh total (staged)
5	Electrical Control Box, 24" x 24" x 8", NEMA 12
6	Rotor Observation Window
7	Power Input, top right of control box
8	Process Air Blower - 7 11/16" x 2 1/2", 3.7" TSP 3450 RPM with 1.5 HP TEFC motor
9	Process Inlet Filter - 12" x 24" x 2" (30%)
Notes	
1	System Performance - 1000 CFM
2	Allow 20" in the front, 30" in the back, and 20" on the sides of the unit for clearances for service
3	React Outlet Blower is equipped with air volume damper
4	All External ductwork must be air and vapor tight
5	Fan Outlets must be transitioned to larger duct size
6	Total weight of unit - approximately 850 Lbs.
7	-



UNLESS OTHERWISE SPECIFIED
DIMENSIONS ARE IN INCHES
TOLERANCES:
FRACTIONAL: 1/32
ANGULAR: MACH ± BEND ± 1
TWO PLACE DECIMAL ± .030
THREE PLACE DECIMAL ± .015
INTERPRET GD&T PER:

PROPRIETARY AND CONFIDENTIAL
THE INFORMATION CONTAINED IN
THIS DRAWING IS THE SOLE PROPERTY OF
INNOVATIVE AIR TECHNOLOGIES, INC.
ANY PARTIAL OR COMPLETE REPRODUCTION
WITHOUT THE WRITTEN PERMISSION OF
INNOVATIVE AIR TECHNOLOGIES, INC.
IS PROHIBITED.

INNOVATIVE AIR TECHNOLOGIES

TITLE: IAT-1000RE UNIT OUTLINE
FOR: CUSTOMER NAME
SIZE: DWG. NO. B 1000 IAT DH UNIT OUTLINE
REV. SHEET 1 OF 1

MATERIAL: APPROVALS NAME DATE
WEIGHT: 830.63 lbs. DRAWN GR 5/17/2017
FINISH: CHECKED
COMMENTS: ENG APPR. MFG APPR. Q.A.

SCALE: 1:20