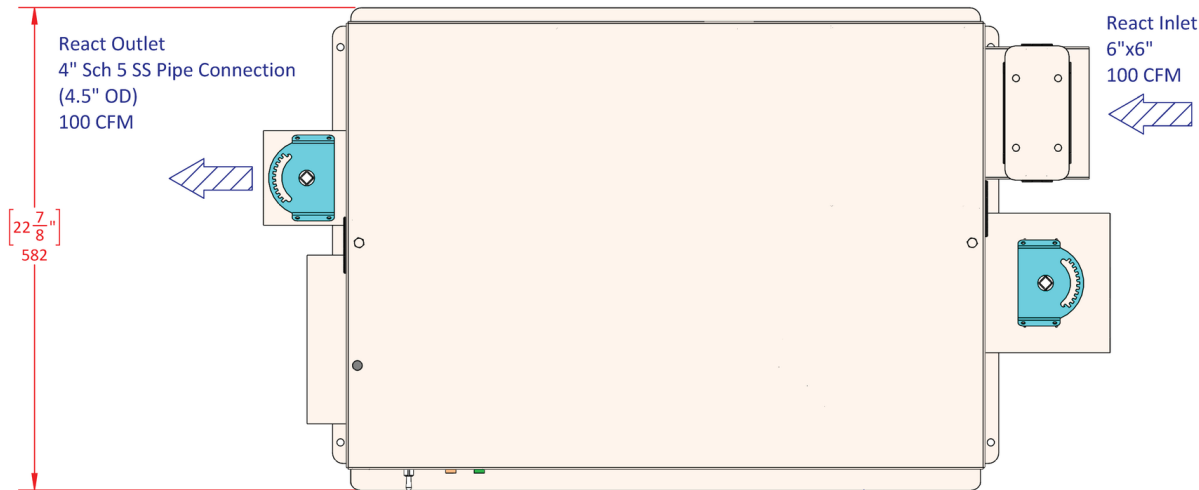


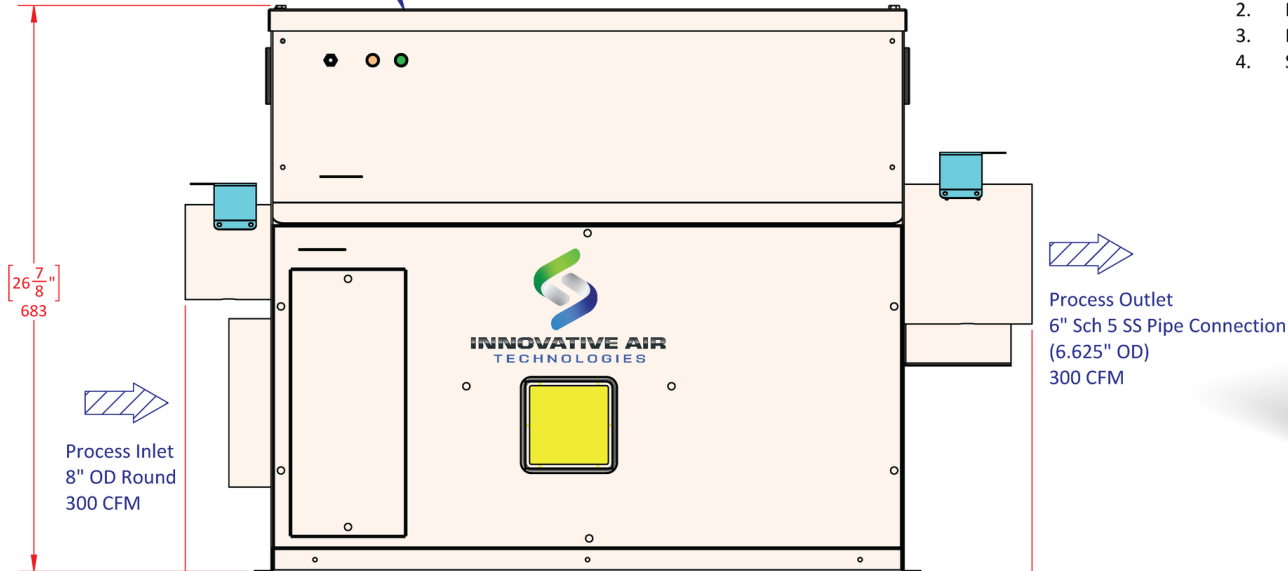
IAT-300REC Unit Outline



24" Minimum Clearance for Control Panel Access

TOP VIEW

19" Minimum Clearance for Desiccant Rotor Access



FRONT VIEW

- SPECIFICATIONS:**
- PROCESS AIR FLOW: 300 CFM
 - REACTIVATION AIR FLOW: 100 CFM
 - EXTERNAL STATIC PRESSURE: 0.5" WC
 - REACTIVATION HEAT: 19,448 BTUH
 - TOTAL POWER CONSUMPTION: 6,900 WATTS
 - DESICCANT ROTOR: SILICA GEL

- TYPICAL PERFORMANCE:**
- 75 DEG. F @ 50%RH - 8.9 LBS/HR.
 - 75 DEG. F @ 30%RH - 5.9 LBS/HR.
 - 75 DEG. F @ 10%RH - 2.0 LBS/HR.

- GENERAL NOTES:**
1. STAINLESS STEEL CONSTRUCTION.
 2. REACT & PROCESS OUTLETS EQUIPPED WITH AIR VOLUME DAMPERS.
 3. 30% REPLACEABLE FILTER.
 4. ALLOW A MINIMUM OF 5% MAKE UP AIR ON PROCESS INLET.
 5. SILICA GEL DESICCANT IS EMBEDDED IN ROTATING WHEEL.

- AVAILABLE OPTIONS:**
1. WEATHER PROOF CONSTRUCTION.
 2. DUCT TRANSITIONS. SCH 5 PIPE TO STANDARD DUCT SIZES.
 3. MIXED AIR BOXES.
 4. SUBMIT CUSTOM REQUESTS TO INFO@DEHUMIDIFIERS.COM

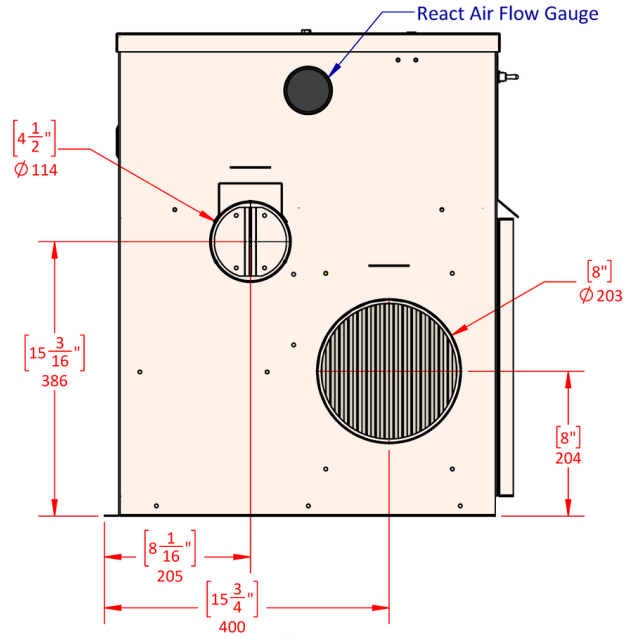


INNOVATIVE AIR TECHNOLOGIES
 16200 GEORGIA PEACH AVE - COVINGTON, GA 30014
 PHONE: (770) 788-6744 | www.dehumidifiers.com

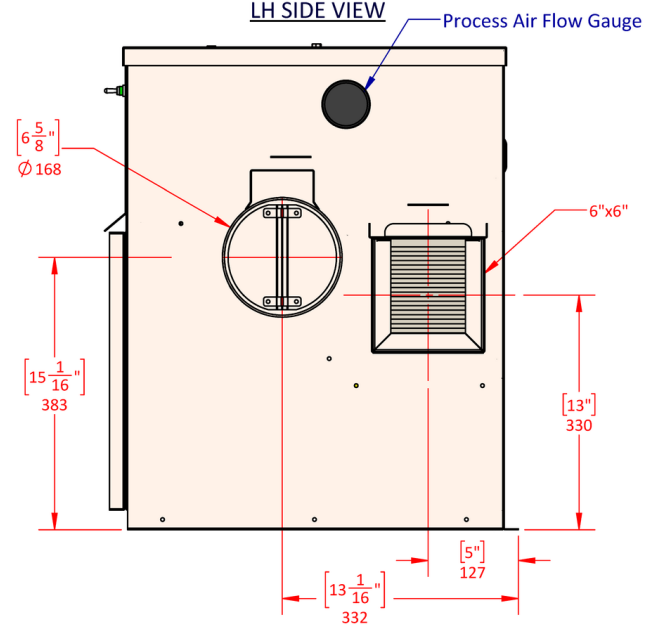
THE INFORMATION CONTAINED IN THIS DRAWING IS THE SOLE PROPERTY OF INNOVATIVE AIR TECHNOLOGIES, INC. ANY REPRODUCTION OR COMPLETE REPRODUCTION WITHOUT THE WRITTEN PERMISSION OF INNOVATIVE AIR TECHNOLOGIES, INC. IS PROHIBITED.

PROJECT: 300RE COMPACT - UNIT OUTLINE		
TITLE: IAT-300RE		
DWG NO: N/A	CHECK BY: KO	WEIGHT: 185 LBS
DRAWN BY: JP	DATE: 10/11/2022	
SIZE: B	SCALE: -	SHEET: 1 OF 2

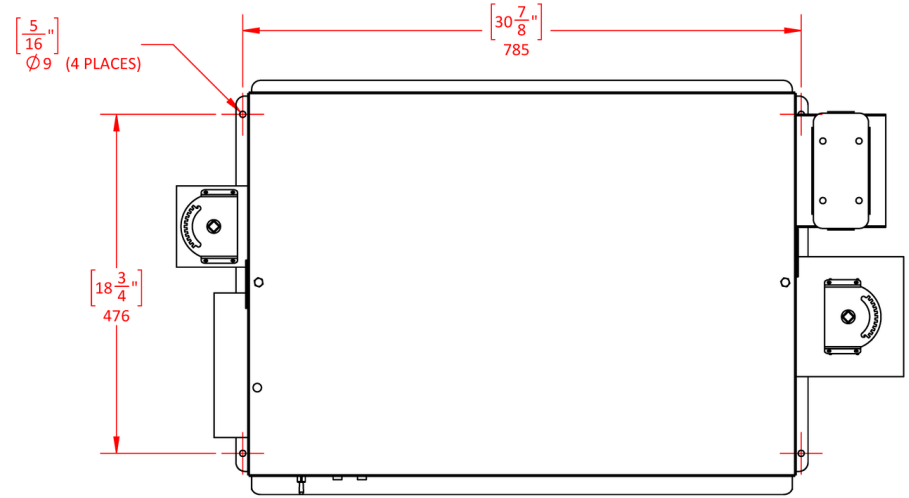
IAT-300REC Unit Outline



LH SIDE VIEW



RH SIDE VIEW



MOUNTING LOCATION DETAIL
(TOP VIEW)



INNOVATIVE AIR TECHNOLOGIES
 16200 GEORGIA PEACH AVE - COVINGTON, GA 30014
 PHONE: (770) 788-6744 | www.dehumidifiers.com

PROJECT: 300RE COMPACT - UNIT OUTLINE		
TITLE: IAT-300RE		
DWG NO: N/A	WEIGHT: 185 LBS	
DRAWN BY: JP	CHECK BY: KO	DATE: 10/11/2022
SIZE: B	SCALE: -	SHEET: 2 OF 2

IAT-300REC General Specifications



Process Airflow	300CFM		
Process Fan ESP	1.0" WC		
React airflow	100 CFM		
React Fan ESP	0.75" WC		
Weight	185 lbs.		
Height	27"		
Width	41.5"		
Depth	23"		
Process Inlet	8"		
Process Outlet	6.625" round		
React Inlet	6" x 6"		
React Outlet	4.5" round		
Filters	MERV 8		
Construction	18 Gauge Stainless		
Desiccant	Silica Gel		
Voltage options	Voltage	SCCR (KA)	FLA
	208/1/60	10	37.4 amps
	240/1/60	10	33.7 amps
	208/3/60	10	25.8 amps
	240/3/60	10	23.7 amps
	480/3/60	10	10.0 amps
	575/3/60	200	8.3 amps
Reactivation Heat	19,448 btuh		
Power Consumption	6,900 watts		
Performance Specs	75°F @ 50% RH - 8.9 lbs./hr. 75°F @ 30% RH - 5.9 lbs./hr. 75°F @ 10% RH - 2.0 lbs./hr.		
Decibel Level	78.3		

GENERAL NOTES:

- Stainless steel construction.
- React & process outlets equipped with air volume dampers.
- 30% replaceable filter.
- Allow a minimum of 5% make up air on process inlet.
- Silica gel desiccant is embedded in rotating wheel.

AVAILABLE OPTIONS:

- Weather-proof construction.
- Duct transitions: schedule 5 pipe to standard duct sizes.
- Mixed air boxes.