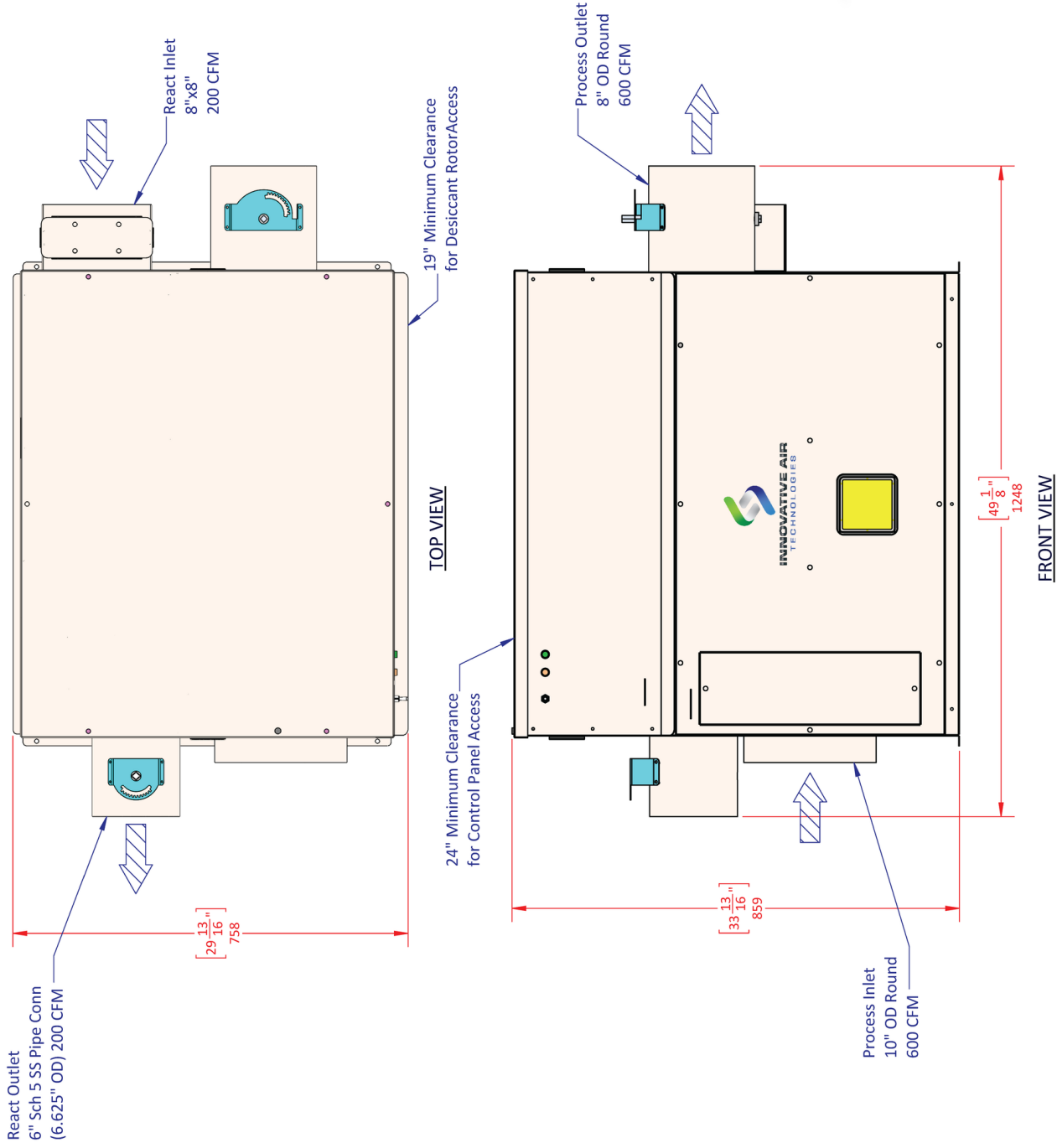


# IAT-600REC Unit Outline



## SPECIFICATIONS:

- PROCESS AIR FLOW: 600 CFM
- REACTIVATION AIR FLOW: 200 CFM
- EXTERNAL STATIC PRESSURE: 1.0" WC
- REACTIVATION HEAT: 40,000 BTUH
- DESICCANT ROTOR: SILICA GEL

## TYPICAL PERFORMANCE:

- 75 DEG. F @ 50%RH - 17.8 LBS/HR.
- 75 DEG. F @ 30%RH - 11.8 LBS/HR.
- 75 DEG. F @ 10%RH - 4.0 LBS/HR.

## GENERAL NOTES:

1. STAINLESS STEEL CONSTRUCTION.
2. REACT & PROCESS OUTLETS EQUIPPED WITH AIR VOLUME DAMPERS.
3. 30% REPLACEABLE FILTER.
4. ALLOW A MINIMUM OF 5% MAKE UP AIR ON PROCESS INLET.
5. SILICA GEL DESICCANT IS EMBEDDED IN ROTATING WHEEL.

## AVAILABLE OPTIONS:

6. BUG SCREEN IN CONTROL PANEL VENT.
7. WEATHER PROOF CONSTRUCTION.
8. DUCT TRANSITIONS. SCH 5 PIPE TO STANDARD DUCT SIZES.
9. MIXED AIR BOXES.
10. SUBMIT CUSTOM REQUESTS TO [INFO@DEHUMIDIFIERS.COM](mailto:INFO@DEHUMIDIFIERS.COM)

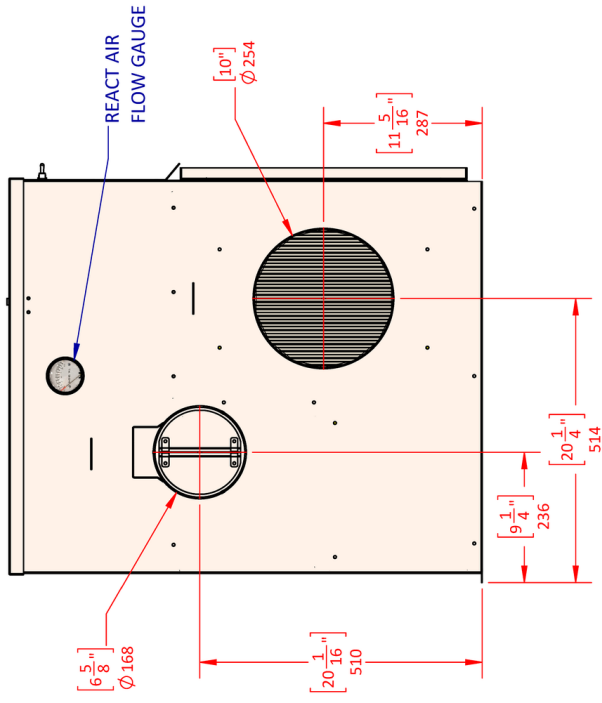


PROJECT: 600REC COMPACT - UNIT OUTLINE	
TITLE: IAT-600REC	
DWG NO: N/A	WEIGHT: 300 LBS
DRAWN BY: JP	CHECK BY: KO
DATE: 2/9/2023	SCALE: -
SHEET: B	1 OF 2

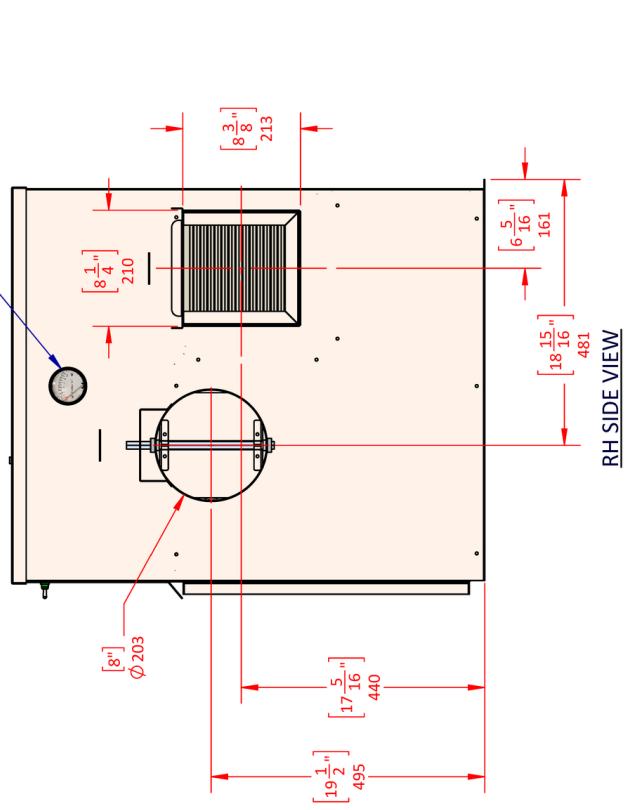


**INNOVATIVE AIR TECHNOLOGIES**  
 16200 GEORGIA PEACH AVE - COWINGTON, GA 30014  
 PHONE: (770) 788-6744 | [www.dehumidifiers.com](http://www.dehumidifiers.com)  
THE INFORMATION CONTAINED ON THIS DRAWING IS THE SOLE PROPERTY OF INNOVATIVE AIR TECHNOLOGIES. IT IS TO BE USED ONLY FOR THE PROJECT AND LOCATION SPECIFICALLY IDENTIFIED HEREON. INNOVATIVE AIR TECHNOLOGIES, INC. IS NOT RESPONSIBLE FOR ANY REVISIONS OR CHANGES TO THIS DRAWING.

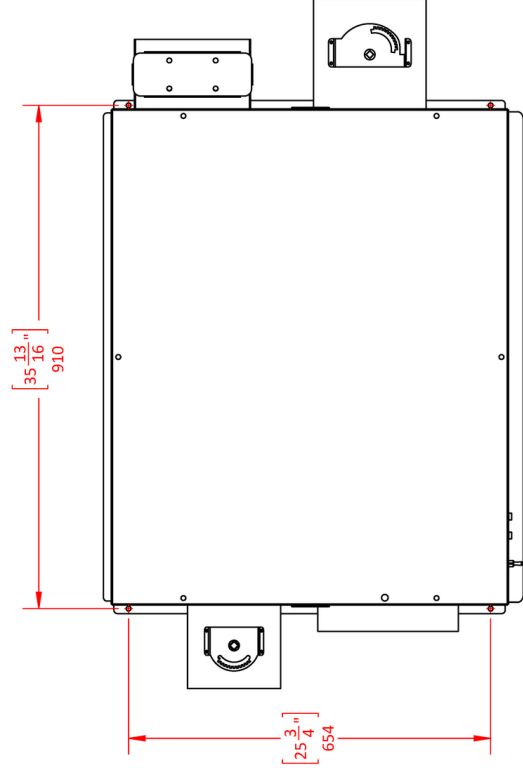
# IAT-600REC Unit Outline



LH SIDE VIEW



RH SIDE VIEW



MOUNTING LOCATION DETAIL  
(TOP VIEW)



PROJECT:	600REC COMPACT - UNIT OUTLINE
TITLE:	IAT-600REC
DWG NO:	N/A
WEIGHT:	300 LBS
CHECK BY:	KO
DATE:	2/9/2023
DRAWN BY:	JP
SCALE:	B
SHEET:	2 OF 2

**INNOVATIVE AIR TECHNOLOGIES**  
 16200 GEORGIA PEACH AVE - COVINGTON, GA 30014  
 PHONE: (770) 788-6744 | www.dehumidifiers.com  
THE INFORMATION CONTAINED ON THIS DRAWING IS THE SOLE PROPERTY OF INNOVATIVE AIR TECHNOLOGIES. IT IS TO BE USED ONLY FOR THE PROJECT AND SITE SPECIFICALLY IDENTIFIED ON THIS DRAWING. INNOVATIVE AIR TECHNOLOGIES, INC. PROPRIETARY.

# IAT-600REC General Specifications



**GENERAL NOTES:**

- Stainless steel construction.
- React & process outlets equipped with air volume dampers.
- 30% replaceable filter.
- Allow a minimum of 5% make up air on process inlet.
- Silica gel desiccant is embedded in rotating wheel.

**AVAILABLE OPTIONS:**

- Weather-proof construction.
- Duct transitions: schedule 5 pipe to standard duct sizes.
- Mixed air boxes.

<b>Process Airflow</b>	600CFM		
<b>Process Fan ESP</b>	1.0" WC		
<b>React airflow</b>	200 CFM		
<b>React Fan ESP</b>	0.75" WC		
<b>Weight</b>	300 lbs.		
<b>Height</b>	34"		
<b>Width</b>	49" Indoor / 62" Outdoor		
<b>Depth</b>	30"		
<b>Process Inlet</b>	10" (OD)		
<b>Process Outlet</b>	8" (OD)		
<b>React Inlet</b>	8" x 8"		
<b>React Outlet</b>	6.625" round		
<b>Filters</b>	MERV 8		
<b>Construction</b>	18 Gauge Stainless		
<b>Desiccant</b>	Silica Gel		
<b>Voltage options</b>	<b>Voltage</b>	<b>SCCR (KA)</b>	<b>FLA</b>
	208/3/60	10	39.4 amps
	240/3/60	10	34.8 amps
	480/3/60	10	17.9 amps
575/3/60	35	14.9 amps	
<b>Reactivation Heat</b>	40,000 btuh		
<b>Power Consumption</b>	11,400 watts		
<b>Performance Specs</b>	75°F @ 50% RH - 18.9 lbs./hr. 75°F @ 30% RH - 12.2 lbs./hr. 75°F @ 10% RH - 4.1 lbs./hr.		
<b>Decibel Level</b>	78.2		