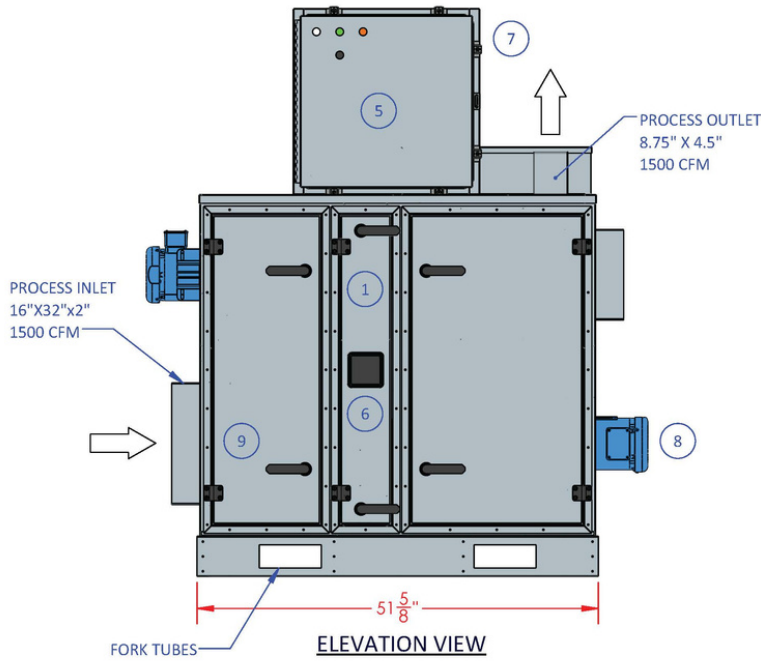
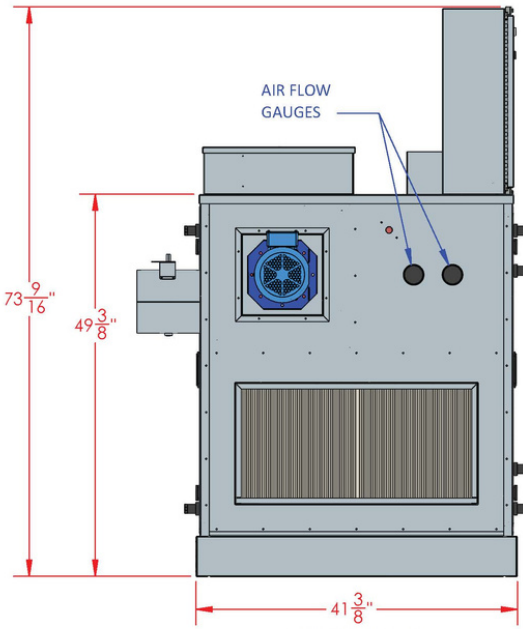
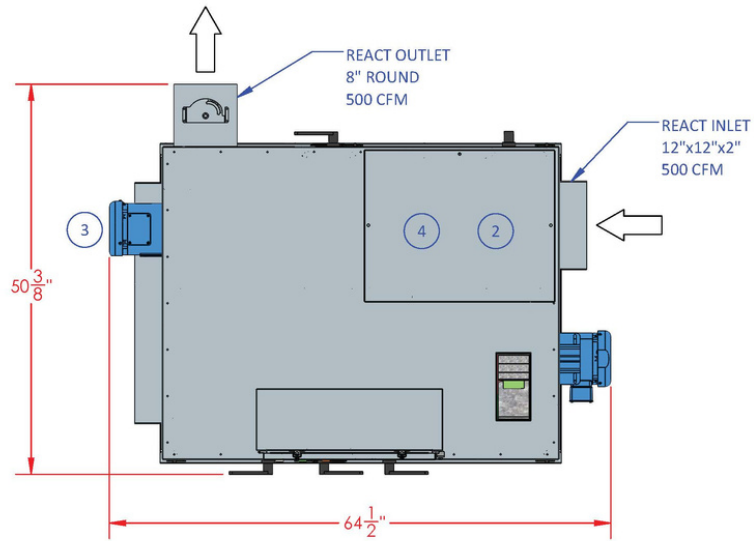


INNOVATIVE AIR TECHNOLOGIES  
**IAT-1500RE Unit Outline**



ITEM	DESCRIPTION
1	IAT-1500RE DESICCANT DEHUMIDIFIER
2	REACT INLET FILTER
3	REACT AIR BLOWER
4	ELECTRIC HEATER
5	ELEC CONTROL BOX
6	ROTOR OBSERVATION WINDOW
7	POWER INPUT, TOP RIGHT OF CONTROL BOX
8	PROCESS AIR BLOWER
9	PROCESS INLET FILTER
NOTES	
1	SYSTEM PERFORMANCE - 1,500CFM
2	ALLOW 30" IN THE FRONT, 30" IN THE BACK AND 30" ON THE SIDES THE UNIT FOR WORKING CLEARANCE
3	AIR VOLUME DAMPER ON REACT OUTLET
4	ALL EXTERNAL DUCTWORK MUST BE AIR AND VAPOR TIGHT
5	FAN OUTLETS MUST BE TRANSITIONED TO A LARGER DUCT SIZE

**INNOVATIVE AIR TECHNOLOGIES**  
 16200 GEORGIA PEACH AVE - COVINGTON, GA 30014  
 PHONE: (770) 788-6744 | www.dehumidifiers.com

PROJECT: IAT-1500RE UNIT OUTLINE	
TITLE: IAT-1500RE	
DWG NO: N/A	WEIGHT: 1,100 LBS
DRAWN BY: JP	CHECK BY: KO
DATE: 11/4/2022	
SIZE: B	SCALE: -
	SHEET: 2 OF 3

THE INFORMATION CONTAINED IN THIS DRAWING IS THE SOLE PROPERTY OF INNOVATIVE AIR TECHNOLOGIES, INC. ANY REUSE OR COMPLETE REPRODUCTION WITHOUT THE WRITTEN PERMISSION OF INNOVATIVE AIR TECHNOLOGIES, INC. IS PROHIBITED.